



CADvent
NEW DIMENSIONS

Optimal HVAC solutions –
Easy - Fast - Reliable



DATE		PAGE NO.		PAGE NO.	
1	2	3	4	5	6
7	8	9	10	11	12
13	14	15	16	17	18
19	20	21	22	23	24
25	26	27	28	29	30

New dimensions in construction

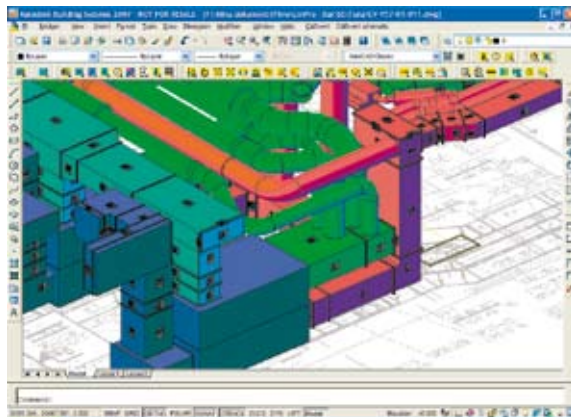
Lindab offers reliable, simple and economical indoor climate solutions, a wide range of intelligent and rational design tools through CADvent, our state-of-the-art, user-friendly software.

CADvent visualizes HVAC solutions in easy to use 2D or close to reality 3D. It takes command over:

- Time - shortening the design phase.
- Project data - minimizing errors.
- Documentation - impressing the customers.

But it doesn't take command over you. It just widens your mind.

It simply brings new dimensions to construction.



What you draw is what you build



Simple and economical for you and your customer

CADvent is an AutoCAD© application. A complete toolbox including drafting, sizing, calculation, quantification and presentation of complete HVAC installations will make your daily work easy, and your customers happy.

Improving productivity

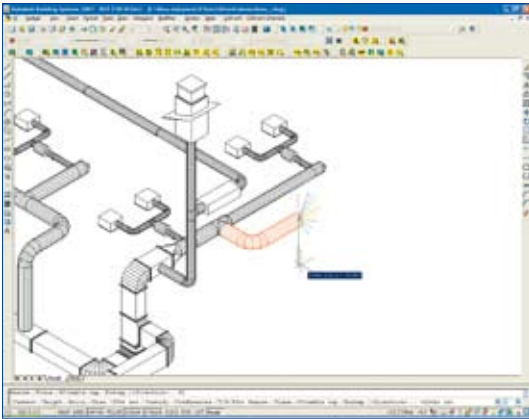
By combining object intelligence with product databases, CADvent provides efficient work methods with precise support for every phase in the project. You can follow a project from initial design, through installation and assembly to adjustment and documentation. The information can be used throughout the whole process making your work more efficient.

Minimizing risks

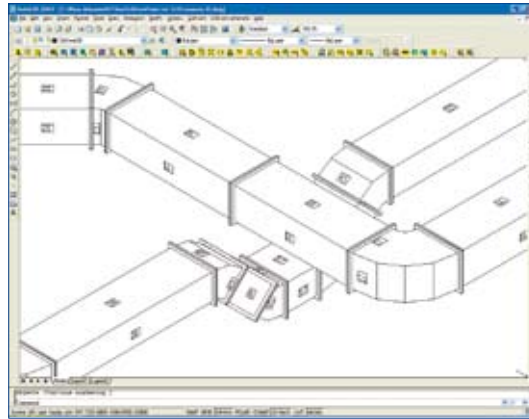
When using CADvent you ensure that the right information is conveyed throughout the whole chain. Collisions will be detected automatically, thus avoiding costly mistakes. Sizing and calculation generate data that are based on real product characteristics. System calculations are done prior to installation and complete adjustment protocols can easily be produced.

Saving time and money

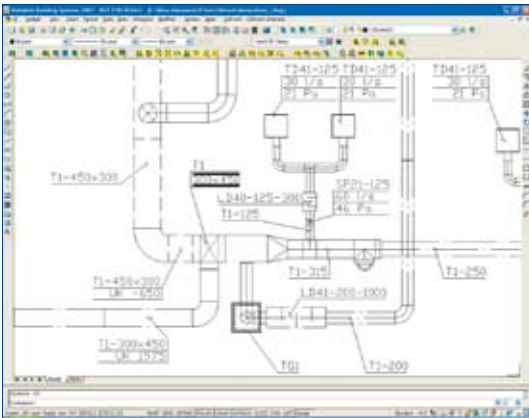
Every mistake identified after installation is ten times more expensive than a mistake discovered in the design phase. The project's dimension affects the number of mistakes. CADvent is built on a true 3D object platform with a link to 4D - time and money. By linking the project data to the project planning system you can minimize the number of mistakes, save time and money for you and your customer.



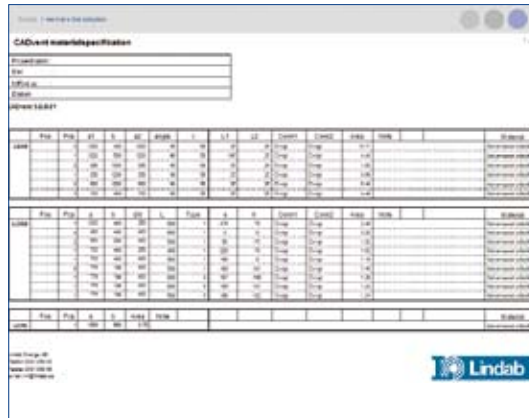
HVAC 3D design – fast and easy with CADvent without limiting your design creativity.



Piece label your products for fast, correct installation.



Present your 2D drawings according to local standards for easy, understandable reading.



Material specification for easy, fast offer and order.

Reliable from start to finish

CADvent features flexible, extensive and competitive tools for the whole project. It won't take you long to discover that it makes the overall result reliable all the way from initial draft to the installation.

Drafting

CADvent features an extensive palette of settings that makes it possible for you to customise the program to fit your needs. Drafting is made in 3D, views can be shown in 2D, 3D, perspective and in sections. The program handles ventilation construction of round, rectangular and flat-oval systems, and has a complete design palette for heating, cooling, tap water, sewer systems and sprinkler. Collision checking and dynamic layer structures are included, as are smart functions for editing and moving.

Design

CADvent's design functions include the most extensive and advanced toolbox on the market. You can size ducts based on constant static pressure, maximum friction and speed, or according to the 30 % method. You can calculate the entire project, based on real component data, including airflow, required pressure, sound and leakage. Balancing and flow simulation of existing systems as well as interactive object analysis and multistorey calculation are features that improve your design.

Quantification and presentation

Quantification includes a material list – total or per floor/zone, and a materials specification. Presentation consists of reports for calculation results, material lists and printout functions for drafting and presentations. 2D drawings and 3D installation drawings, sections or entire project, with product designation are also easily produced. The information built up during the project processes are constantly easy to retrieve, adjust and improve. CADvent enables the Building Information Model.

Lindab Ventilation is a business area within the Lindab Group that develops, manufactures and markets reliable, simple and economical indoor climate solutions for the building industry.

We offer everything from complete ventilation systems to individual components for all types of housing, as well as commercial and industrial buildings.

Lindab Ventilation is represented in over 30 countries throughout Europe and North America. Our head office is in Greve, in the south of Sweden.



www.lindab.com